



THORNTHWAITE TECHNOLOGIES
THE SHOWER & WASHROOM SPECIALISTS

Data Sheet
Rada Vandal Resistant
Showerheads



www.thornthwaite.com.au

Rada Vandal Resistant Showerheads

Rada Vandal Resistant Showerheads are WELS - registered and offer a flow rate of up to 8.5 litres per minute - an easy way to substantially reduce water consumption and provide a great shower.

Connection

All showerheads - 1/2" BSP connection

Materials

Shower head: Brass, polished chrome finish.

Spray Cartridge: Engineering plastic.

Flow regulator: Engineering plastic.

All screws in contact with water are stainless steel.

Temperature

Designed to accept water supplied between 5°C and 65°C

Pressure Range

Recommended minimum dynamic inlet pressure: 10 kPa. (with flow regulator removed)

Maximum dynamic inlet pressure: 500 kPa (fitted with flow regulator).

Spray Performance

Minimum flow rate necessary to achieve a fully formed spray pattern: 4.5 L/min.

Approvals



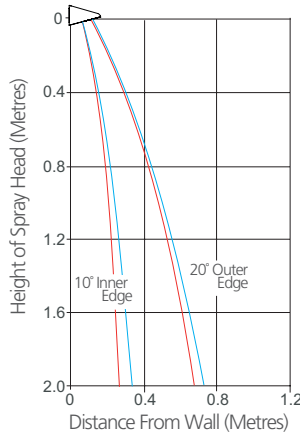
Thornthwaite Technologies Pty Ltd ABN 67 113 609 019
79 Victoria Avenue Chatswood NSW 2067 | PO Box 560 Willoughby NSW 2068
T: 1300 137 170 | F: 02 9417 5231 | E: enquiries@thornthwaite.com.au

Spray Patterns at 9 L/min

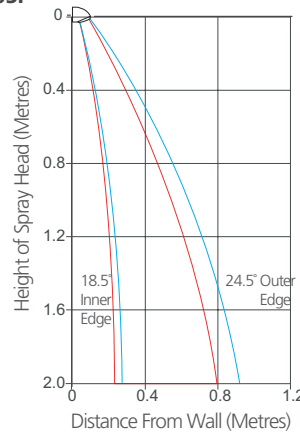
Recommended minimum height at 2 metres

Alternative spray positions

Rada VR2:



Rada VR105:

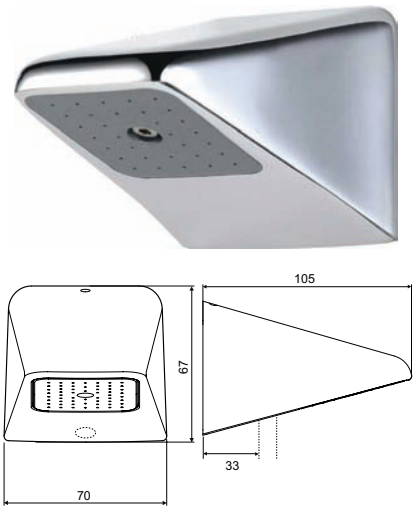


Commissioning & Maintenance

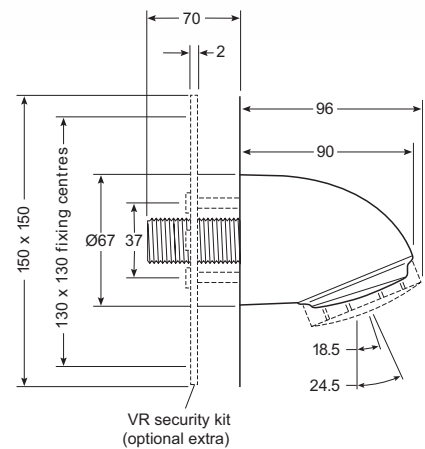
Refer to the Product Manual for detailed instructions. For further information on replacement parts and service contact Thornthwaite on 1300 137 170.

| Description | Part No |
|--|----------|
| Rada VR105 Vandal Resistant Showerhead – 8.5 L/min | 09877 |
| Rada VR106 Vandal Resistant Showerhead – 5.5 L/min | 09885 |
| Rada VR2 Vandal Resistant showerhead – 8 L/min | 1652.009 |
| ACCESSORY | |
| Rada VR105/VR106 300R adjustable spray plate cartridge | 09887 |

Rada VR2 Showerhead



Rada VR105/106 Showerhead



Warranty

1 year subject to manufacturer's conditions.

More Information

Download product manuals, data sheets, specification sheets, line drawings and brochures from our website.

www.thornthwaite.com.au